



Developments on the IPv6 Ready Logo Program

IPv6 Technology Adoption

Timothy Winters

April, 2012



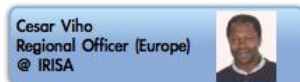
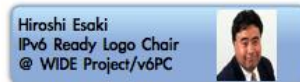
Summary

- The IPv6 Ready Logo Program Update
- Enabled WWW and ISP Update
- Boundv6 Initiative
- CPE IPv6 Ready Logo
 - IPv6 World Launch

IPv6 Forum's IPv6 Ready Logo



- Goal 2001-Present: Conformance and Interoperability test program intended to increase user confidence
- Logo Committee Structure

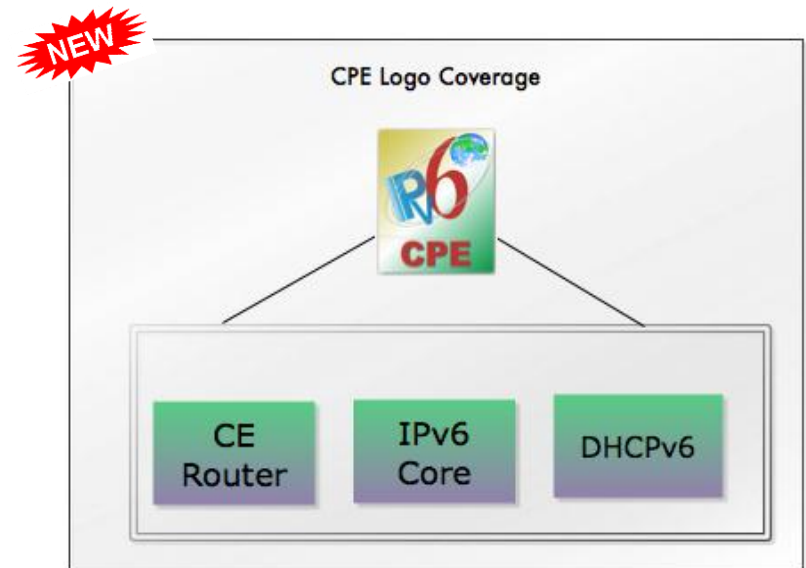
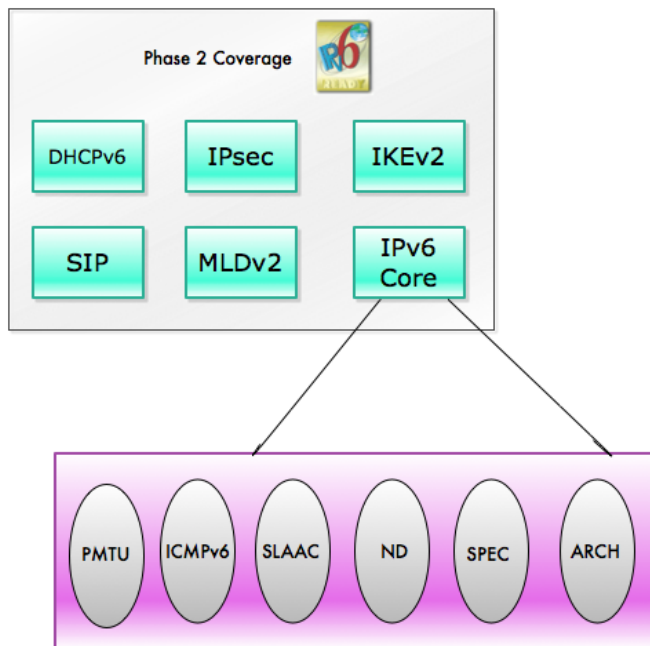


- Approved Labs
 - BII (China), CHT-TL (Taiwan), InfoWeapons (PH), IRISA (EU), JATE (Japan), TTA (Korea), UNH-IOL (US)



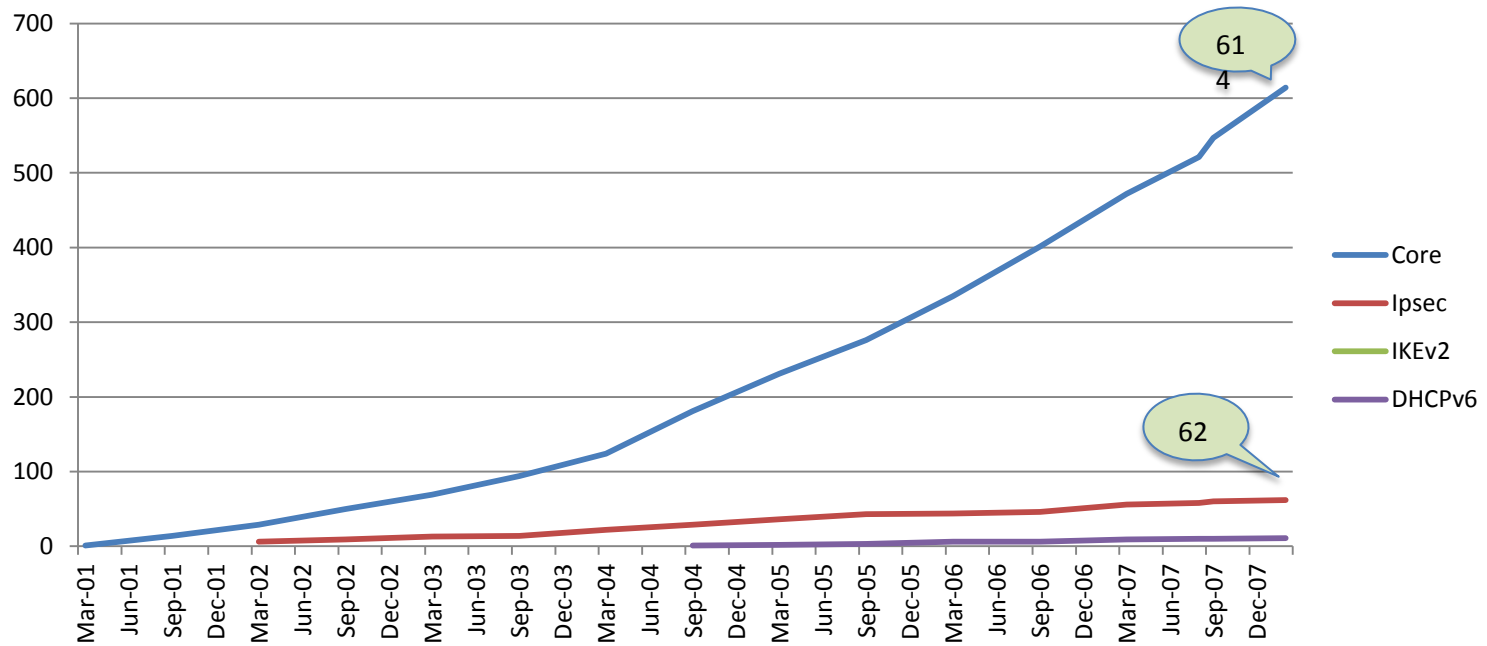
IPv6 Ready Logo Programs

- Extensive Interoperability and Conformance testing Requirements for IPv6 stacks.
 - All *Musts* and *Shoulds* tested within standard RFC



Current Logo Approvals

As of February 1, 2012



<https://www.ipv6ready.org>

IPv6 Ready Enabled Programs

- Objective is to encourage adoption of IPv6 on websites (WWW) at enterprises, Internet Service Providers (ISPs) and private users by helping them test their IPv6 readiness.
- IPv6 Enabled WWW Logo
 - 1427 websites listed on Validated List
- IPv6 Enabled ISP Logo
 - 131 listed on Validated List



Boundv6 Initiative



- Goal:
 - To Create a formal recognition process for applications that demonstrate IPv6 capabilities
 - To connect labs and the community where IPv6 tests can take place in meaningful ways.
- Background Overview
 - Predecessor Moonv6:
 - Proof of concept testing demonstrated IPv6 in action on multiple levels.

Old White Papers can be found:

<http://www.iol.unh.edu/services/testing/ipv6/training/>

CPE Logo Program (NEW)

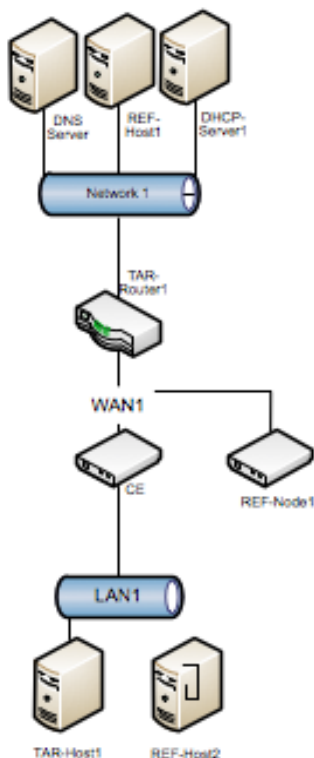


Target Launch November 2012

- Test Requirements (100% pass)
 - Conformance (Public review v 1.0.2)
 - Interoperability (version 1.0.0b8)

CE Router Tested List

(Performed Interoperability testing at UNH-IOL to show commitment to Logo and IPv6 deployment.) <http://www.iol.unh.edu/services/testing/ipv6/cerouter.php>



The following devices performed all the test cases successfully.

Company	Product	Product Version	Test Scenario Version	Date Listed
Broadcom	BCM 93380 WVG	5.5.6	1.0.0.b6	11/9/11
D-Link	DIR-Series Router	v.1.00	1.0.0.b6	11/9/11
D-Link	DIR-Series Router	v2.00	1.0.0.b6	11/9/11
Cisco Systems	Linksys E4200	v1 Firmware 1.0.04	1.0.0.b7	1/12/12
Lantiq	Broadband Router/Gateway/XRX100/XRX200/XRX300	UGW-5.x series Router/Gateway	1.0.0.b6	11/9/11
Broadcom	BCM 93380 WRG	5.5.5alpha0	1.0.0.b4	5/31/11
D-Link	DIR-652	v.1.5	1.0.0.b4	5/31/11

IPv6 World Launch



- 3 different classes of Participants will be enabling IPv6 permanently.
 - Websites, Networks and Manufacturers
- Home Routers Manufactures
 - Completing the Interoperability portion of the CPE Logo will get you on IPv6 World Launch list.
 - <http://www.worldipv6launch.org/participants>

IPv6 CE Router Event



- The UNH-IOL is hosting a CE Router Event April 16, 2012.
- IPv6 Ready CPE Interoperability Test Plan is executed.
- [Whitepapers](#) discussing technical discoveries
 - DHCP Issues
 - ISP Prefix length issues
 - M/O Flag
 - Forwarding Loops



UNH InterOperability Lab

- Third party test facility for data, telecom and storage networking technology & Consumer electronics
- Fully funded by the commercial communications industry
 - Driven by market requirements
- Technical Developers, Administrators and Test event coordinators
- Tests 20 different technologies, including IPv6



Questions?